

## Tech Sheet: Boeing 757

(boeing-B757.pdf)



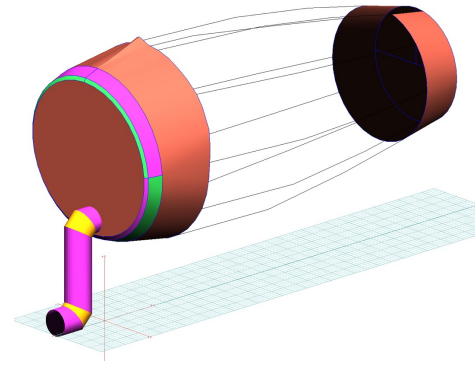
### Section 2: Engine Covers

**Tri-Fold Ring Engine Covers** are designed to install easily yet be completely storable. A spring steel hoop is sewn into the hem of each cover, allowing them to be installed without climbing onto the wing or using a stepladder in many cases. To store the covers the spring steel hoop folds like a band-saw blade into three nesting rings. Each cover folds into a compact circular bundle which is stored in the included duffel bag, yet they unfold quickly for use. The Tri-Fold Ring cover is made of medium weight Solution-Dyed Polyester which is available in a variety of colors to match the paint trim. Each cover set comes complete with installation and folding instructions. The aircraft's registration number can be silkscreened onto the cover for an extra charge.

**ALL-YEAR USE MATERIAL** - Made with Solution dyed Polyester fabric, the all-year use material is the best option for sun protection and cover longevity. This heavier more durable material is intended for all weather conditions, such as rain and snow or lots of sun.



Boeing 787 Intake Cover



Boeing 757 Intake/Exhaust Cover Set (3D Model)

Description	Part Number	Price
INTAKE/EXHAUST COVER SET RB.211 Engines (set of 4)	<b>B757-105</b>	<b>\$8855.00</b>
INTAKE/EXHAUST COVER SET RB.211 Engines, w/ Pre-heater hose (set of 4)	<b>B757-106</b>	<b>\$10215.00</b>
INTAKE COVERS, uses existing pit-pin locations around nacelle, RB.211 Engines (set of 2)	<b>B757-110</b>	<b>\$4325.00</b>
INTAKE COVERS, PW engine (set of 2)	<b>B757-116</b>	<b>\$5420.00</b>
ENGINE NACELLE INTAKE/EXHAUST COVER, full closure, engine on wing (set of 2)	<b>B757-120</b>	<b>\$13505.00</b>

**Section 3: Plugs & Protection**

**Boeing 757 Heat Resistant Pitot Tube Covers**, are made of Naugahyde vinyl, and lined with a non-burning material. They are designed to cover the entire pitot assembly, slipping over the tube and tightening around the base with a Velcro strap detail. A "Remove Before Flight" streamer is attached to the cover. **Heat Resistant Pitot Covers** are an upgrade to our standard design, and help prevent the pitot cover from melting onto the tube if the pitot heat is accidentally turned on while installed. If you want the set tethered together, please let us know.

The **Boeing 757 Intake/Exhaust Plugs** are custom fit for the intake and exhaust openings, made with heavy-duty vinyl material, and stuffed with a single block of sculpted urethane foam. Each plug has a zipper that allows the foam to be removed and dried if necessary. Engine plugs have 'remove before flight' streamers sewn onto the face of the plugs. Most plugs are imprinted with the aircraft registration number in black. Engine plugs may be inserted after flight when the engine is still warm. Engine Inlet Plugs are commonly referred to as Cowl Plugs, Intake Plugs, Cowl Blocks, Engine Blocks, and Engine Bungs.

The **Engine Exhaust Plugs** are custom fit for your Boeing 757 exhaust openings, made with heavy-duty vinyl material, and stuffed with a single block of sculpted urethane foam. Each plug has a zipper that allows the foam to be removed and dried if necessary. Exhaust plugs have 'remove before flight' streamers sewn onto the face of the plugs. Most plugs are imprinted with the aircraft registration number in black for an extra charge. Exhaust plugs may be inserted soon after flight when the engine is still warm. Engine Inlet Plugs are commonly referred to as Cowl Plugs, Intake Plugs, Cowl Blocks, Engine Blocks, and Engine Bungs.

The **Engine Inlet Plugs** are custom fit for your Boeing 757 intakes, made with heavy-duty vinyl material, and stuffed with a single block of sculpted urethane foam. Each plug has a zipper that allows the foam to be removed and dried if necessary. Engine plugs have 'remove before flight' streamers sewn onto the face of the plugs. Most plugs are imprinted with the aircraft registration number in black for an extra charge. Storage bag NOT included. Engine plugs may be inserted after flight when the engine is still warm. Engine Inlet Plugs are commonly referred to as Cowl Plugs, Intake Plugs, Cowl Blocks, Engine Blocks, and Engine Bungs.



Boeing 757 Intake Plugs, RB.211 Engine (Comes in colors)

Boeing 757 Exhaust Plugs, RB.211 Engine (Comes in colors)

Description	Part Number	Price
INTAKE PLUGS, Rolls Royce Engine, folding type (set of 2)	<b>B757-100</b>	<b>\$6125.00</b>
INTAKE PLUGS, folding type PW engine (set of 2)	<b>B757-115</b>	<b>\$6125.00</b>
EXHAUST PLUGS, Rolls Royce Engine, folding type (specify 757 model and exact engine model) (set of 2)	<b>B757-200</b>	<b>\$4265.00</b>
EXHAUST PLUGS, PW engine, incl. Fan Thrust Reverser and Exhaust Plugs, folding type (set of 6)	<b>B757-201</b>	<b>\$7010.00</b>
PASSENGER A/C INLET/EXHAUST PLUGS, w/ grommetted Remove Before Flight Streamers (set of 4)	<b>B757-205</b>	<b>\$725.00</b>
EXHAUST PLUGS, Rolls Royce Engine, "Champagne Cork" type (specify 757 model and exact engine model) (set of 2)	<b>B757-210</b>	<b>\$4265.00</b>
PITOTS/AOA COVERS, heat resistant type (set of 6)	<b>B757-250</b>	<b>\$655.00</b>
TAT PROBE COVER, heat resistant type	<b>B757-255</b>	<b>\$120.00</b>
APU EXHAUST PLUG	<b>B757-260</b>	<b>\$210.00</b>
A/C INLET PLUGS (set of 2)	<b>B757-270</b>	<b>\$315.00</b>
A/C EXHAUST PLUGS (set of 2)	<b>B757-275</b>	<b>\$450.00</b>
EXHAUST VENT PLUG, (left side fwd of APU exhaust)	<b>B757-280</b>	<b>\$150.00</b>
STORAGE BAGS FOR Intake Plugs, heavy duty type, w/ logo & tail number imprint (set of 2)	<b>B757-300</b>	<b>\$1340.00</b>
STORAGE BAGS FOR Intake Plugs, heavy duty type, no artwork (set of 2)	<b>B757-301</b>	<b>\$1205.00</b>
STORAGE BAGS FOR Exhaust Plug Set, heavy duty type, w/ logo & tail number imprint (set of 2)	<b>B757-302</b>	<b>\$1340.00</b>
STORAGE BAGS FOR Exhaust Plug Set, heavy duty type, no artwork (set of 2)	<b>B757-303</b>	<b>\$1205.00</b>

## Section 5: HeatShields & Sun Reflectors

**Cockpit Heatshields** are interior sunshades for the aircraft's cockpit. The product is a unique composite of closed-cell foam with a silver mylar finish. The semi-rigid design is stiff enough to stand inside the window framing. The set folds up flat and is easily stored in the included storage sleeve. Some designs may require velcro and suction cups. Our Heatshields for jets are offered white side out because some aircraft manufacturers have issued advisories against reflective window inserts due to potential heat damage. A Heatshield is an excellent short-term remedy for cockpit overheating, but an external fabric cover is more effective for long-term protection.





Boeing 757 Cockpit HeatShield set



Boeing 757 Cockpit HeatShield set, installation detail

Description	Part Number	Price
COCKPIT HEATSHIELDS (set of 6)	<b>B757-900</b>	<b>\$710.00</b>

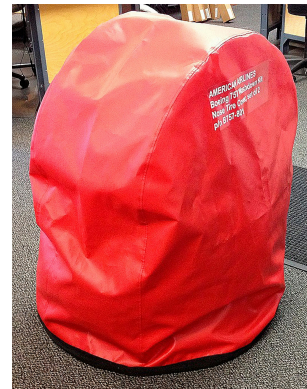
**Section 6: Miscellaneous Products**

**Tire or Wheelpant Covers** are designed to protect the wheelpants, or the tires and wheels, from sun damage and damage from the tow bar when moving the airplane.

ALL-YEAR USE MATERIAL - Made with Silver Acrylic Sunbrella canvas, the all-year use material is the best option for sun protection and cover longevity. This heavier more durable material is intended for all weather conditions, such as rain and snow or lots of sun.



Boeing 757 Tire Covers, great for Wash Prep or Storage



Boeing 757 Tire Covers, Wash Down or Long-term Storage

Description	Part Number	Price
STORAGE BAGS FOR Intake Covers Set, heavy duty type, w/ logo & tail number imprint (set of 2)	<b>B757-304</b>	<b>\$1155.00</b>
MAIN GEAR TIRE COVERS (set of 8)	<b>B757-400</b>	<b>\$3450.00</b>
NOSE GEAR TIRE COVERS (set of 2)	<b>B757-405</b>	<b>\$870.00</b>

**Prices subject to change. Other Covers and Design Alterations: Prices on request. Prices are FOB Morgan Hill, CA. Sales tax on orders shipped to California addresses. Orders take approximately 3 weeks to complete. For domestic orders we normally ship by UPS ground service. Next day shipping and air parcel post is available on request. We can take payment by Visa, Mastercard, American Express, or Discover.**

***Bruce's Custom Covers offers protective covers and plugs for virtually every type of airplane, jet and helicopter. If you have questions about our products please call any time TOLL FREE: 800/777-6405, or FAX: 408/738-2729.***



A division of Aircraft Covers, Inc.

18850 Adams Ct.  
Morgan Hill, CA 95037  
www.AircraftCovers.com

## Aircraft Cover Ordering Form

Customer Info	Name _____ Shipping Address _____ _____ Phone & Email _____
Payment	Credit Card Number <input type="text"/> <input type="text"/> <input type="text"/> <input type="text"/> <input type="text"/> <input type="text"/> <input type="text"/> <input type="text"/> <input type="text"/> <input type="text"/> <input type="text"/> <input type="text"/> <input type="text"/> <input type="text"/> <input type="text"/> <input type="text"/> <input type="text"/> Exp. Date <input type="text"/> <input type="text"/> / <input type="text"/> <input type="text"/> V-Code* <input type="text"/> <input type="text"/> <input type="text"/> <input type="text"/> <small>*Visa, Mastercard, Discover: last 3 numbers on back of card, right of signature. Amex: 4 smaller numbers printed on face of card.</small>
A/C Info	Reg / Tail Number: _____ Aircraft Type: _____ Year: _____ Colors / Paint Scheme (be specific): _____

**Please specify below the items you would like to order.**  
See technical sheet or visit our website for part numbers (or just fill in the description)

	Part Number	Quant	Description	Price
1				
2				
3				
4				
5				
6				
7				
8				
9				
10				

**Optional Items (check the box of the item you want)**

Imprint aircraft registration number onto both sides of canopy cover.....\$35.00

Imprint aircraft registration number onto jet intake covers.....\$55.00

TOTAL